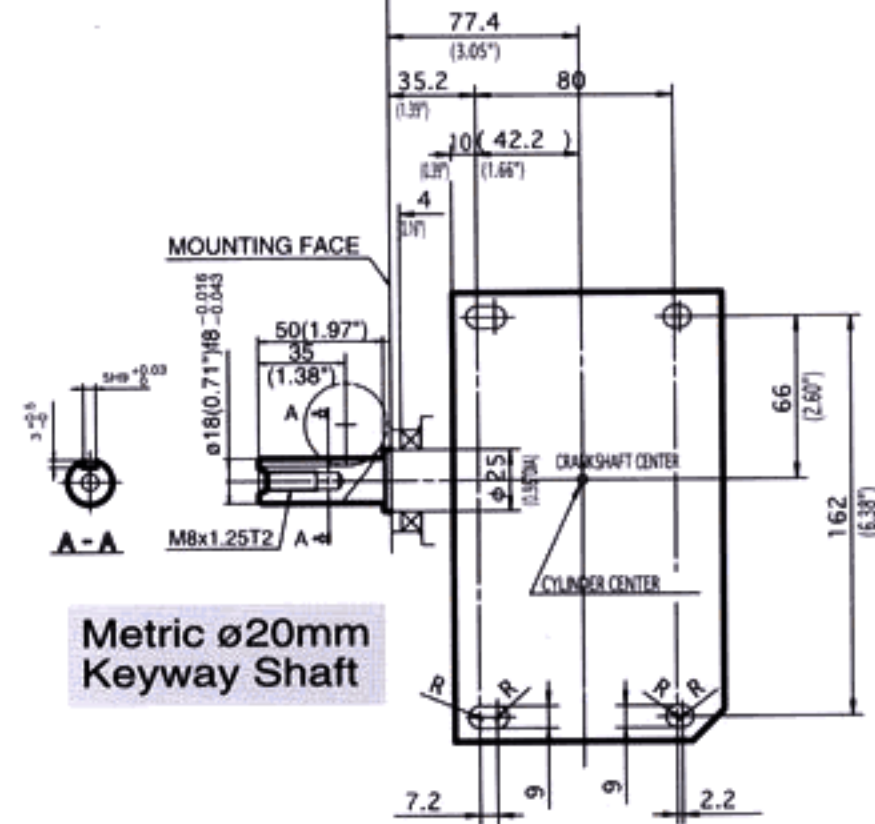
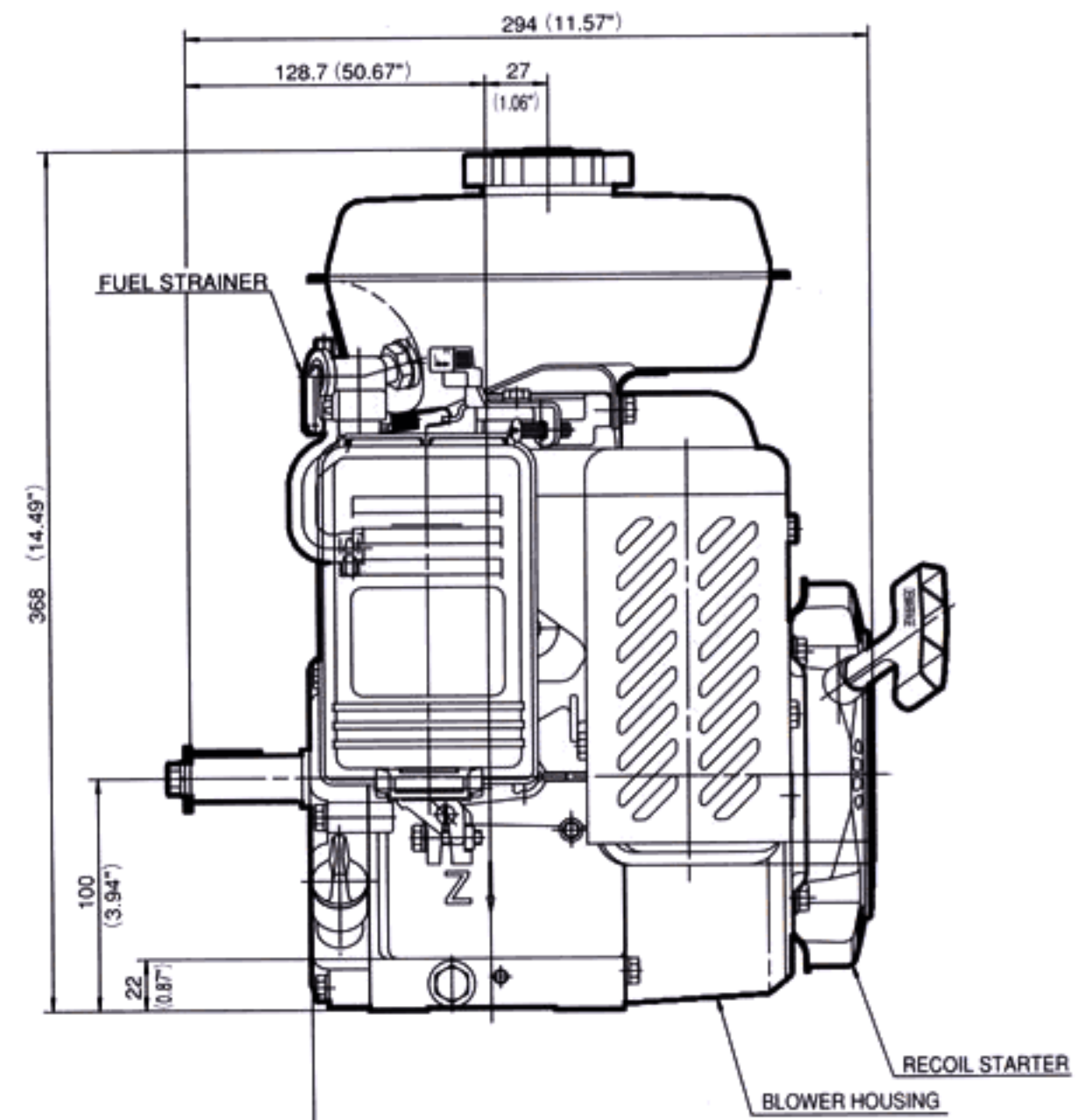
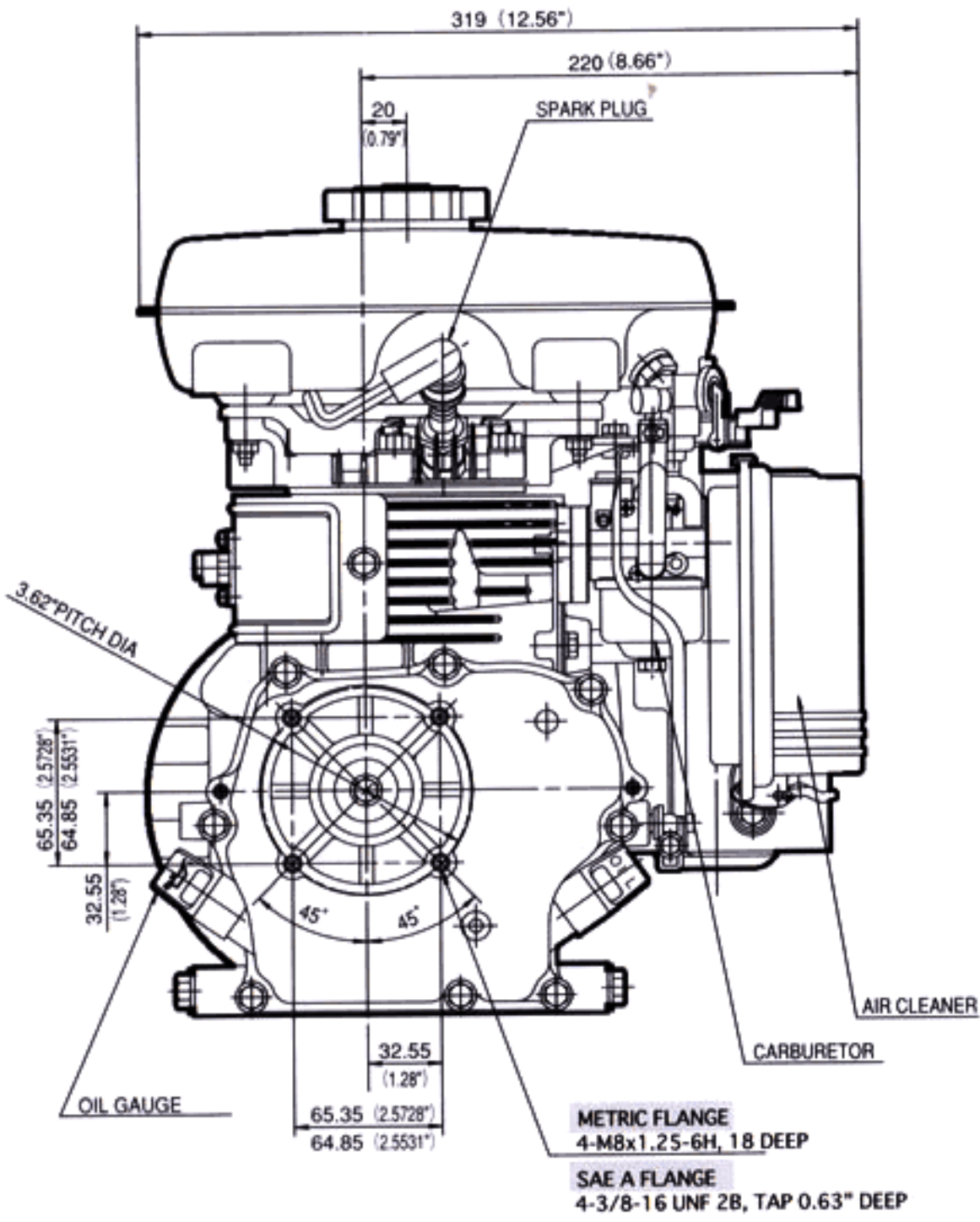
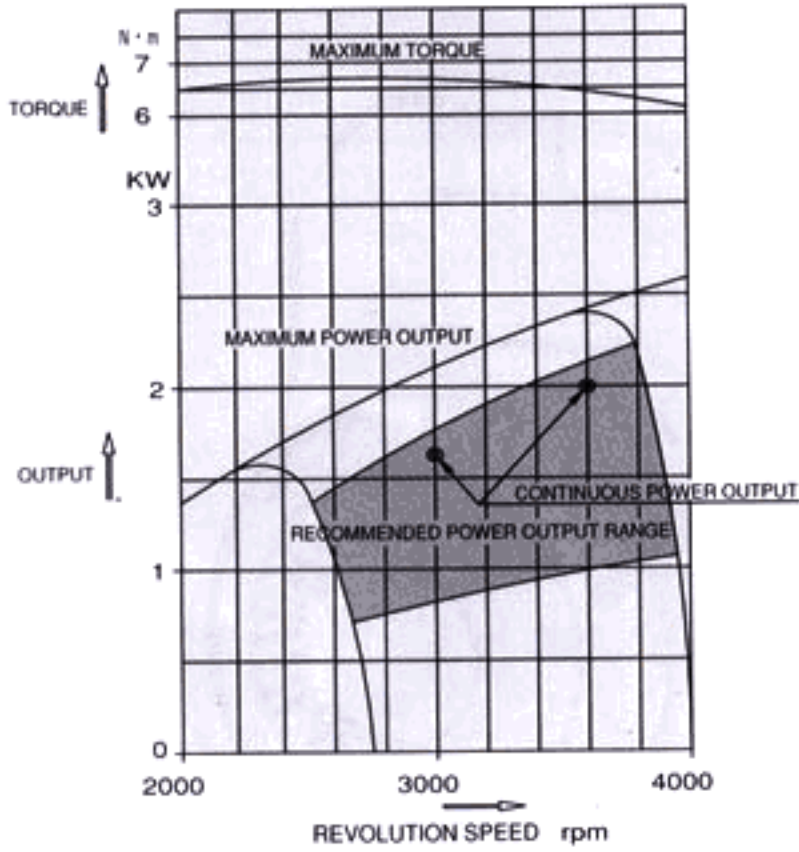


# EY15-3D



Metric  $\phi 20\text{mm}$  Keyway Shaft

EY15-3D PERFORMANCE CURVES



Power curves are corrected to standard sea level atmospheric condition and are developed from test engines equipped with standard air cleaner and muffler.

