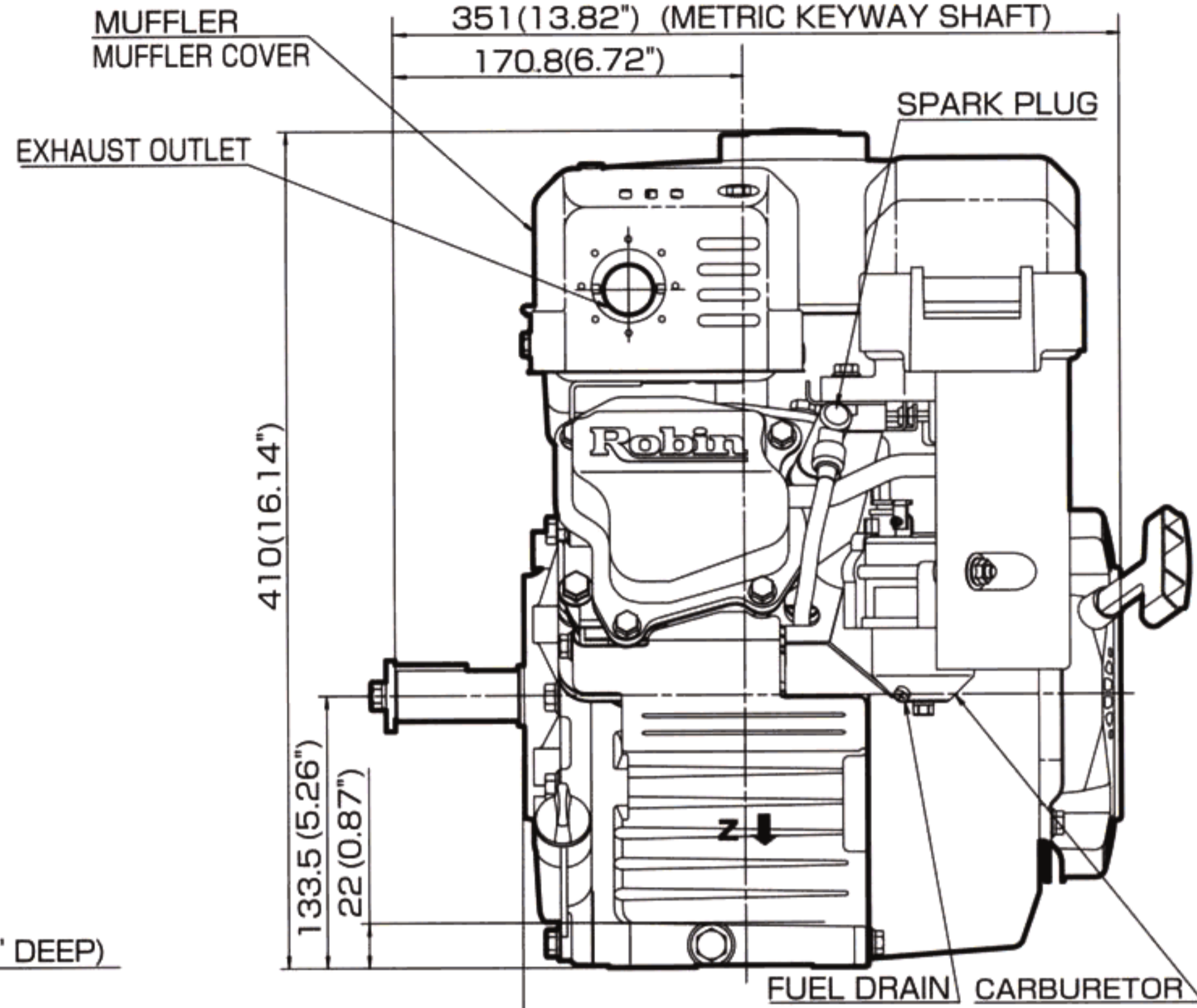
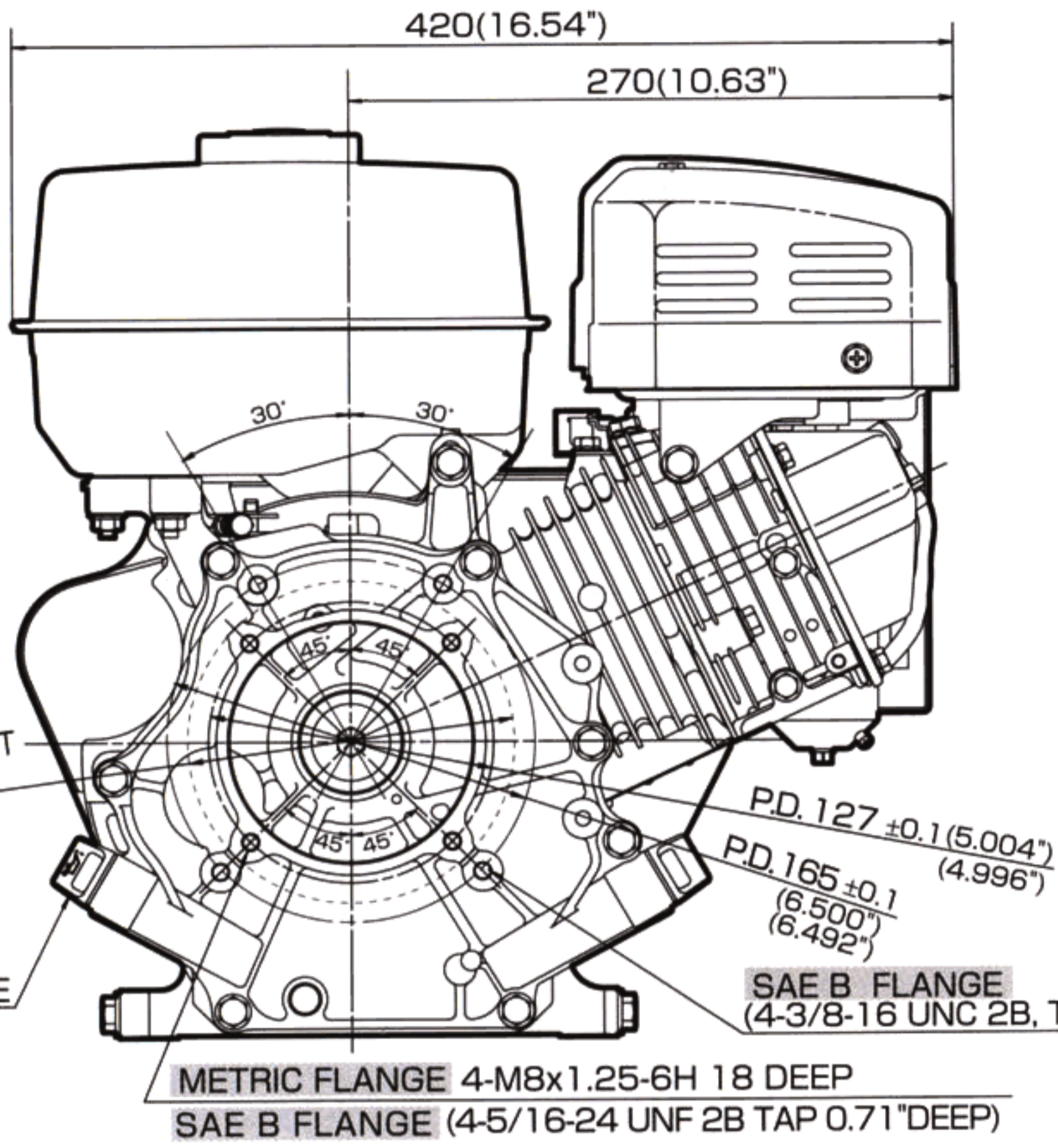
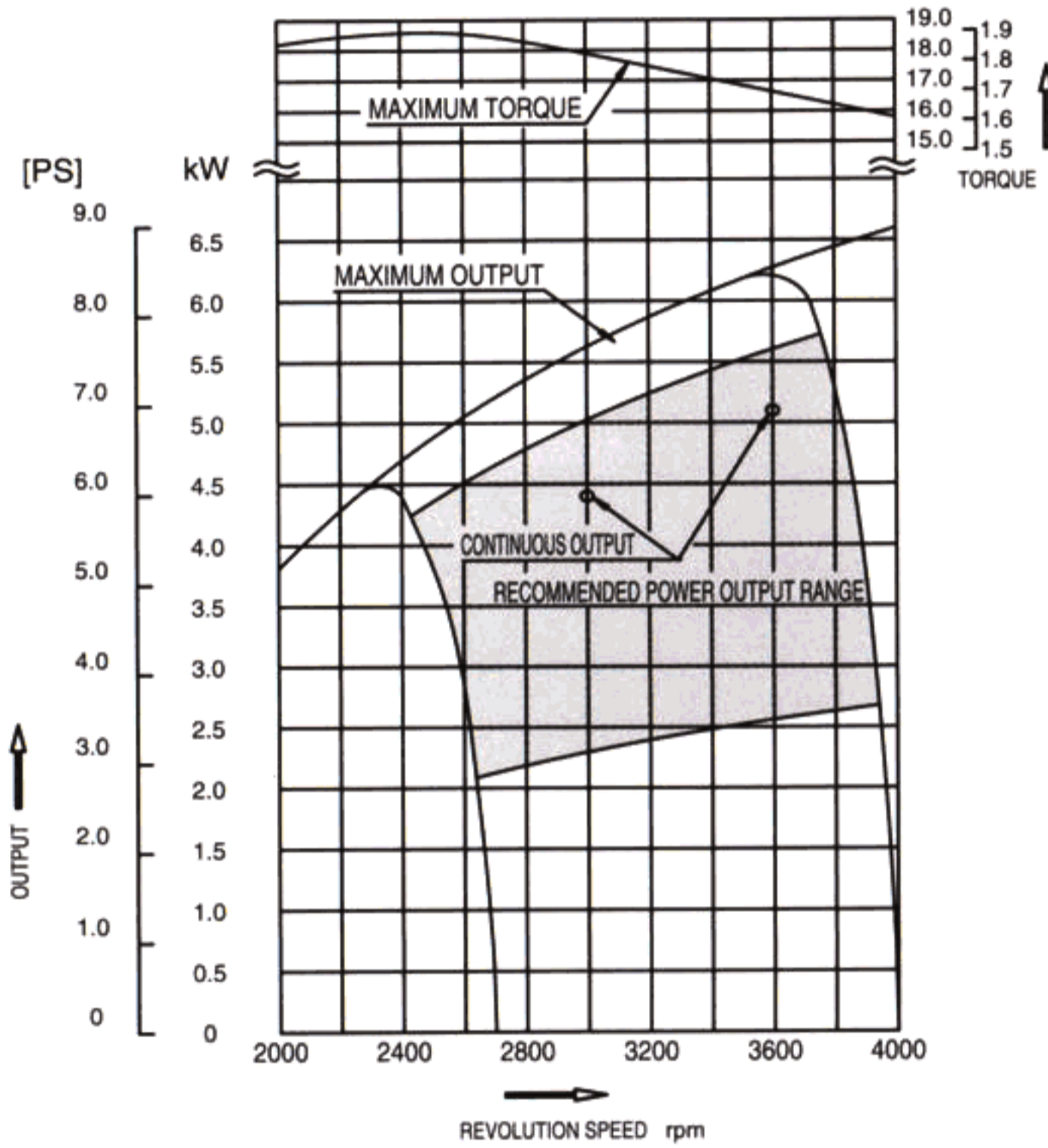


EX27



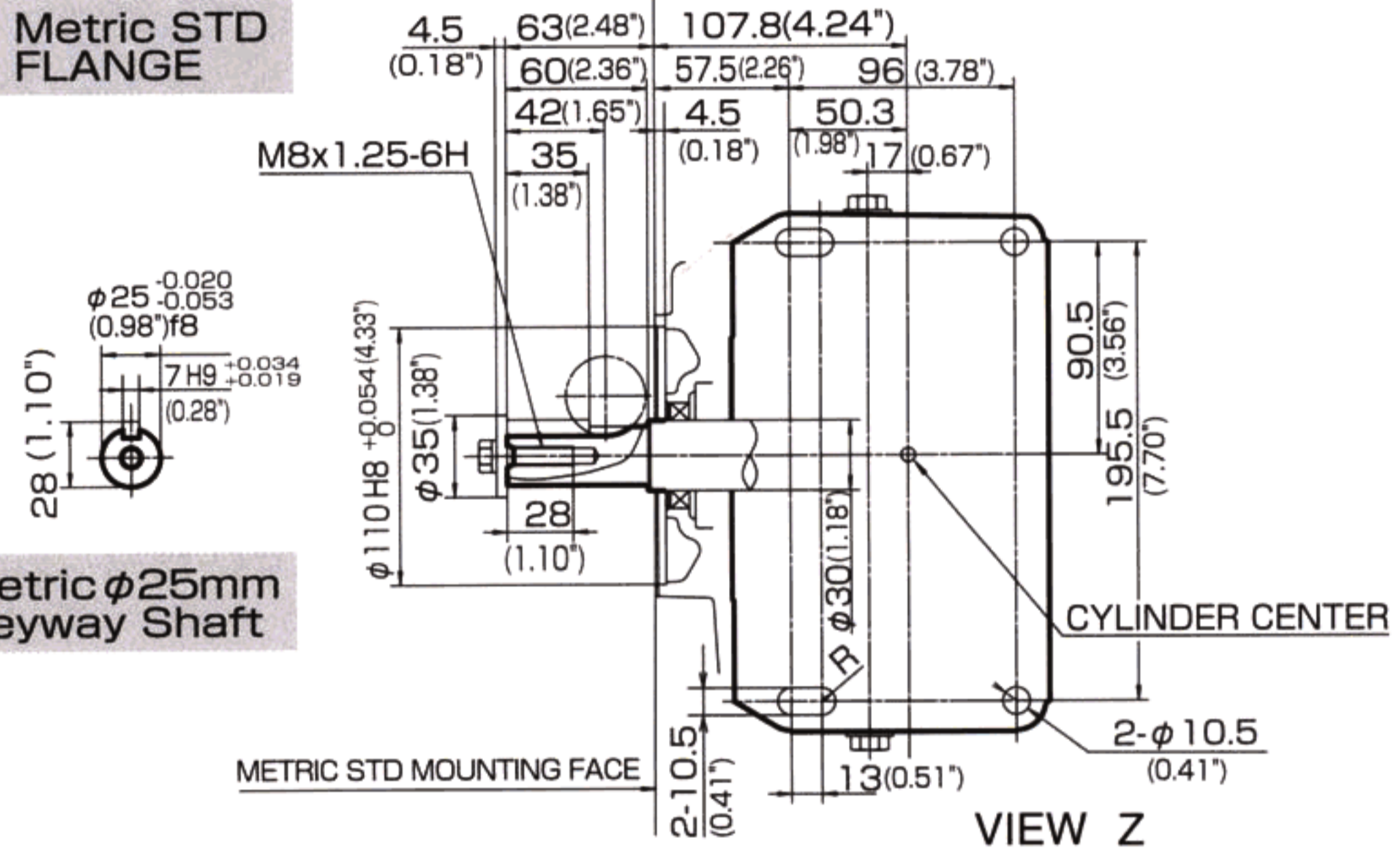
EX27D PERFORMANCE CURVES

N·m[kgf·m]

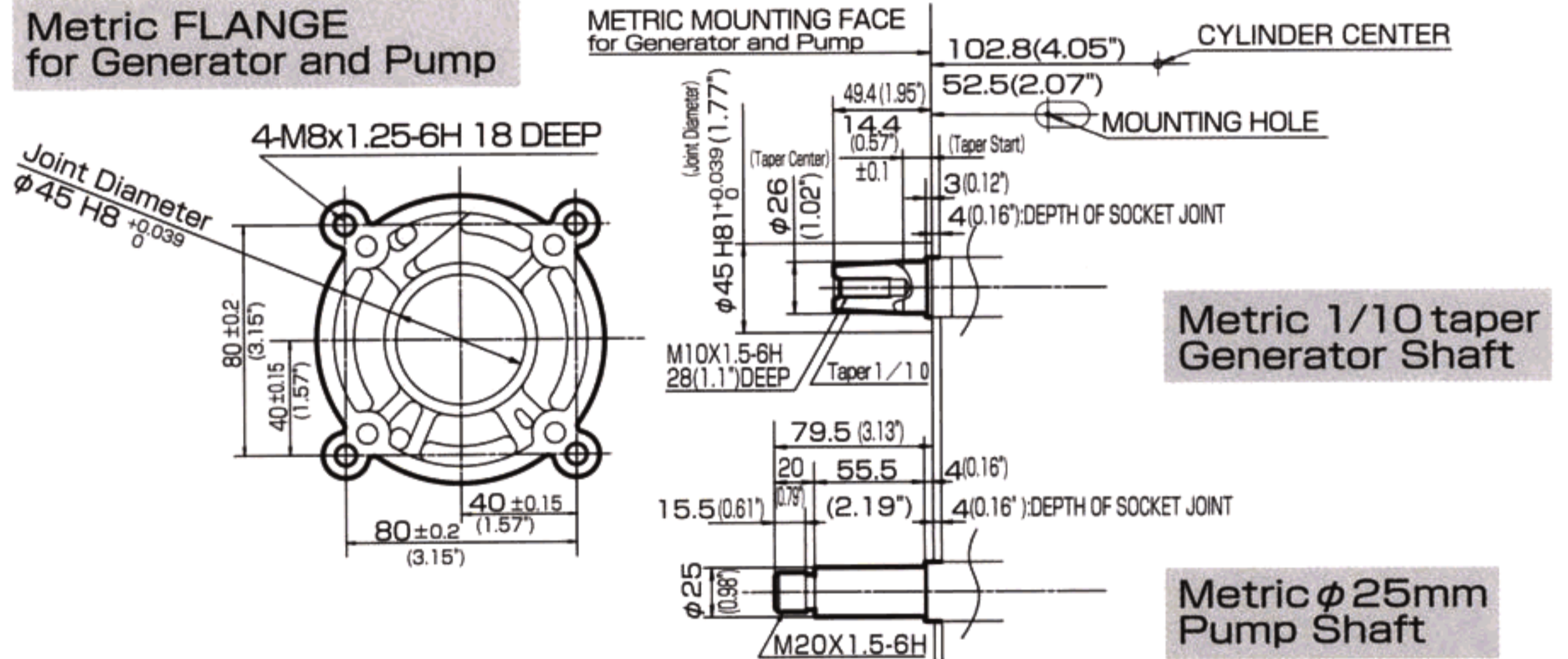


Power curves are corrected to standard sea level atmospheric condition and are developed from test engines equipped with standard air cleaner and muffler.

Metric STD FLANGE



Metric FLANGE for Generator and Pump



SAE B FLANGE

