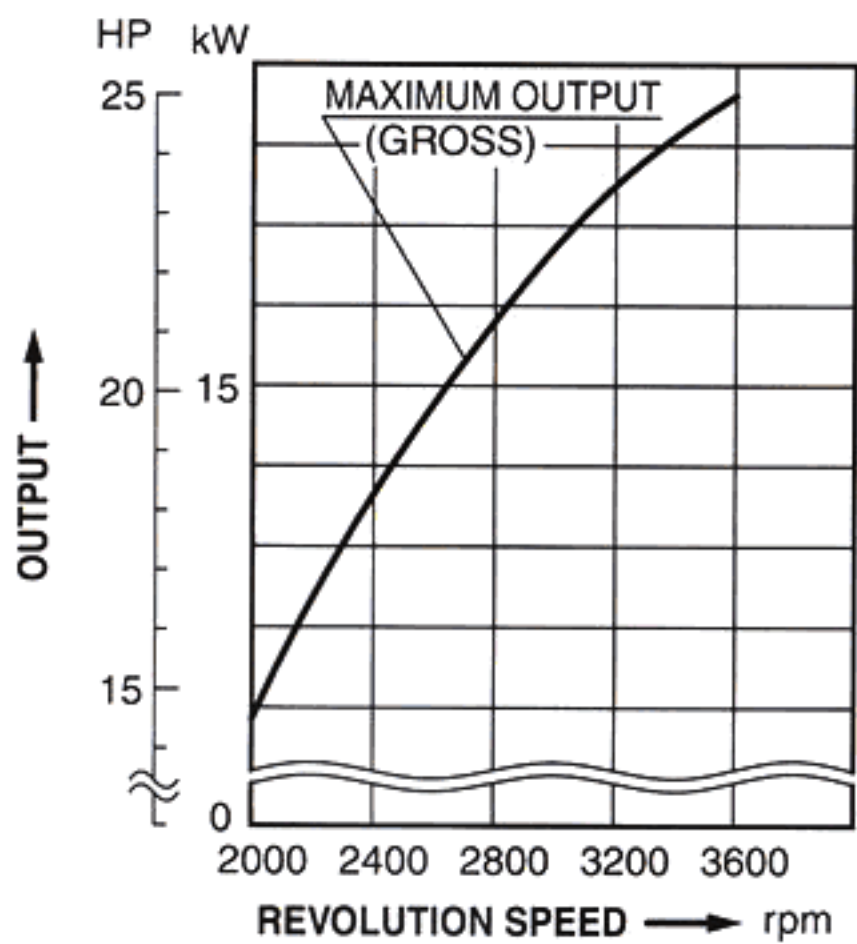
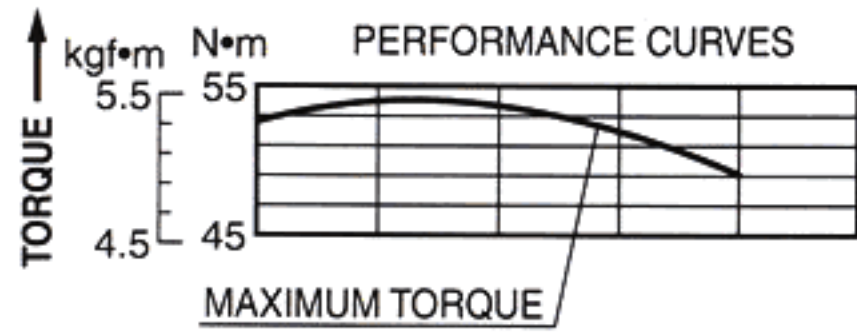
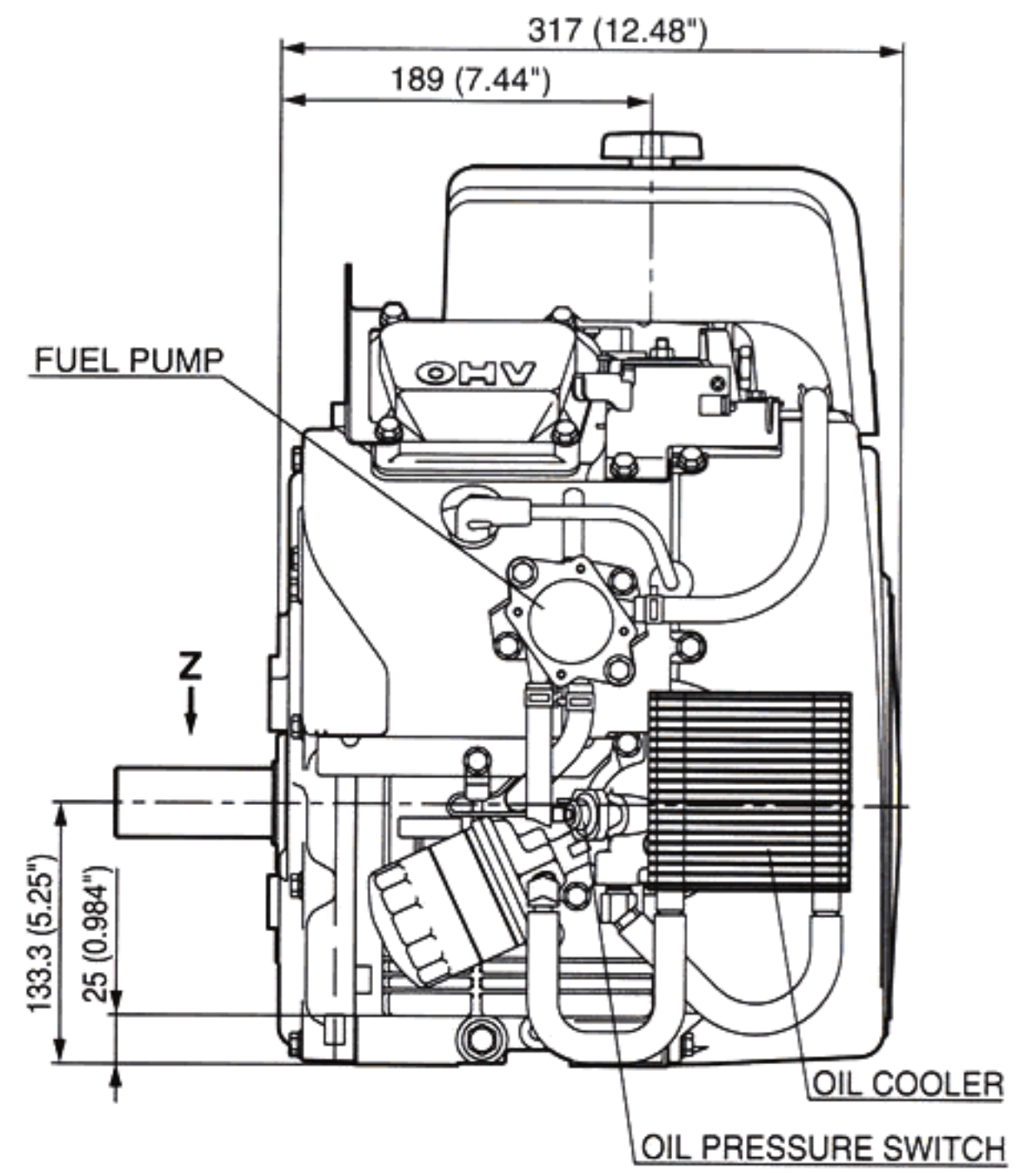
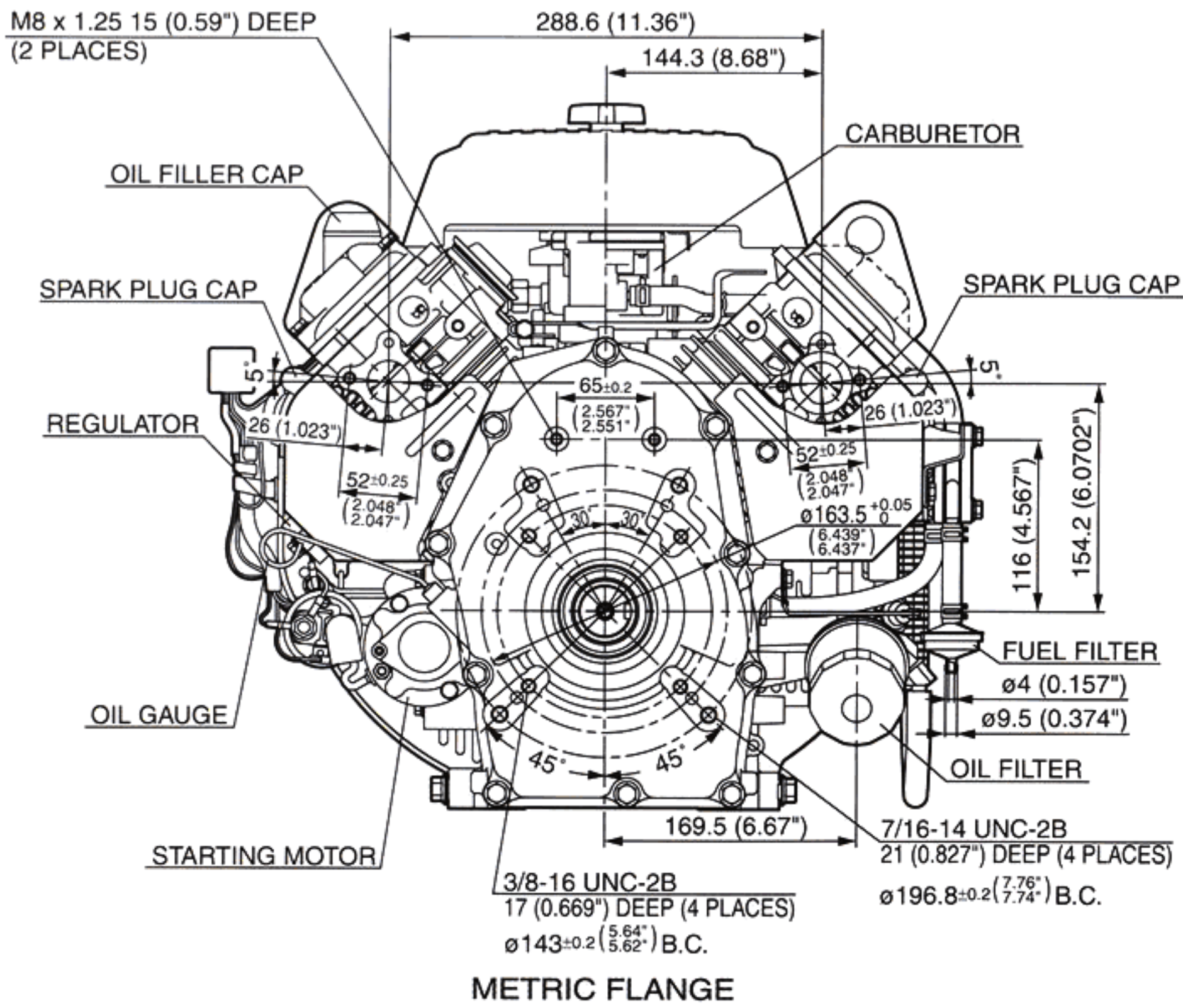
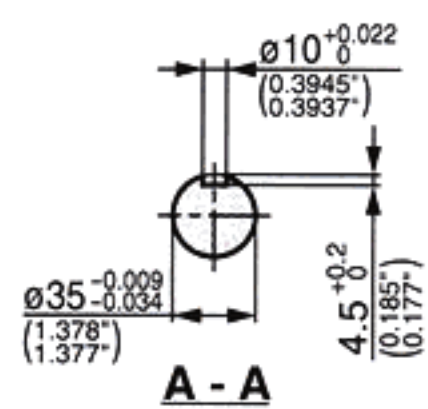


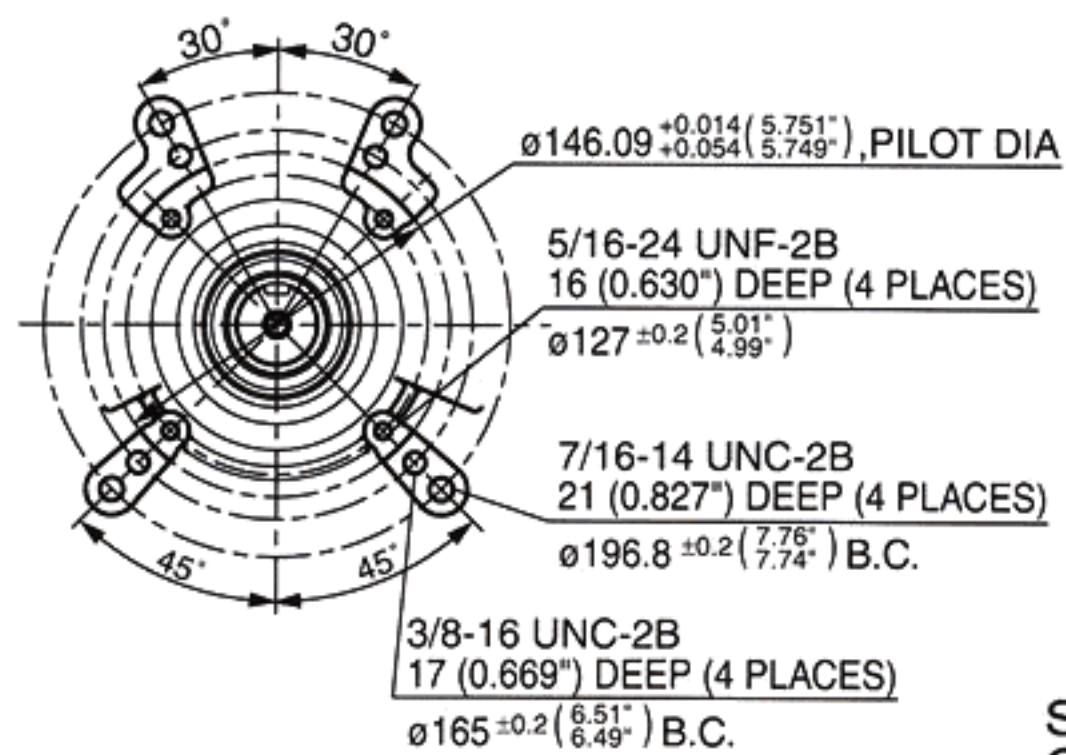
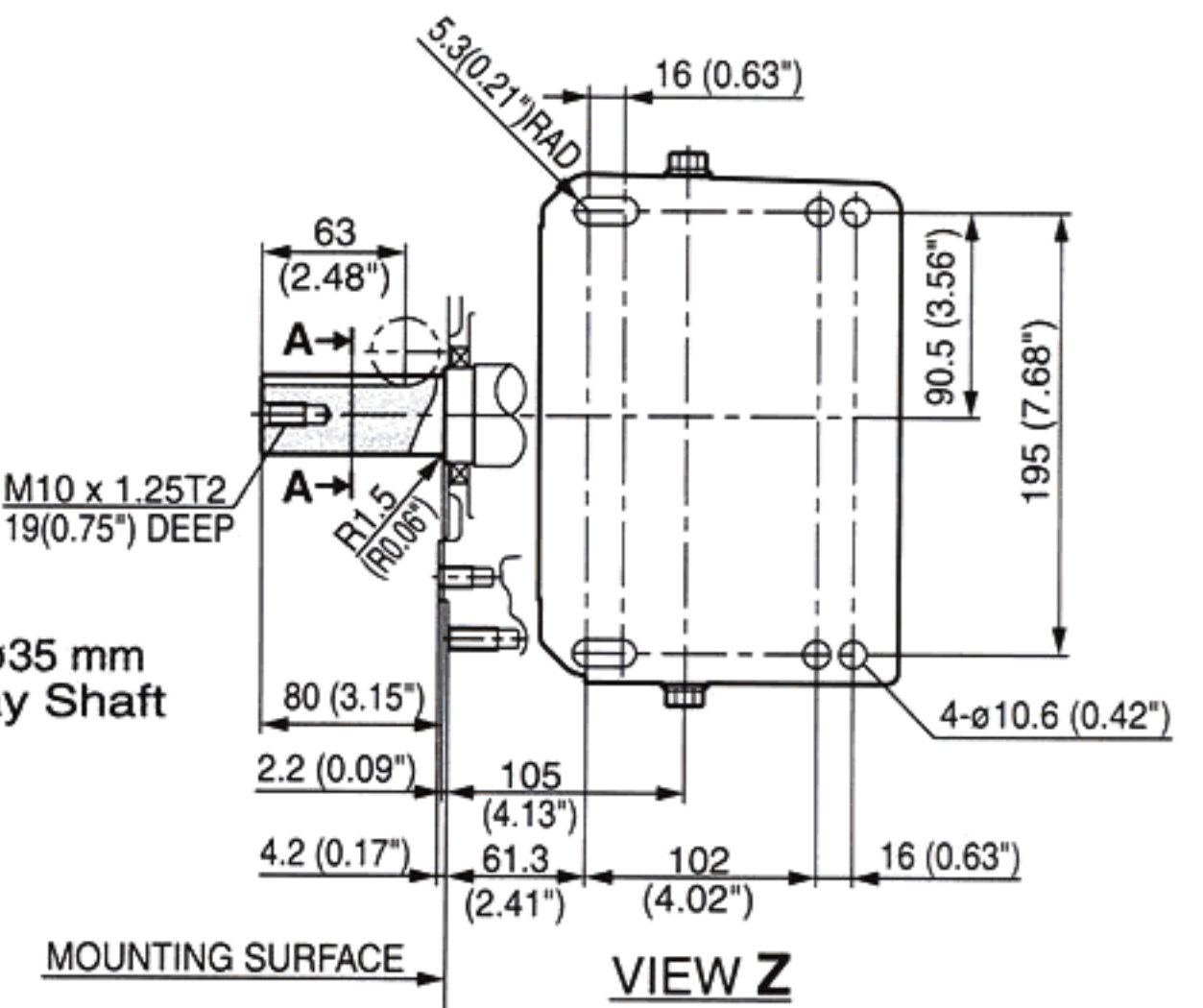
EH72DS



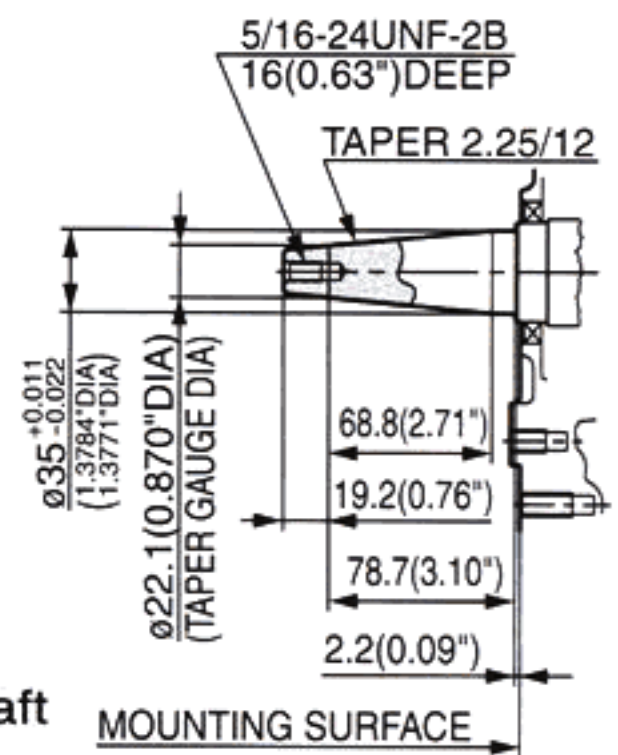
Power curves are corrected to standard sea level atmospheric condition and are developed from test engines equipped with standard air cleaner and muffler.



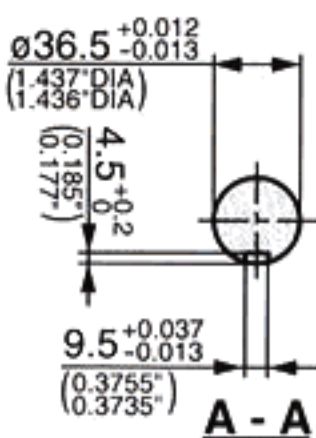
Metric ø35 mm Keyway Shaft



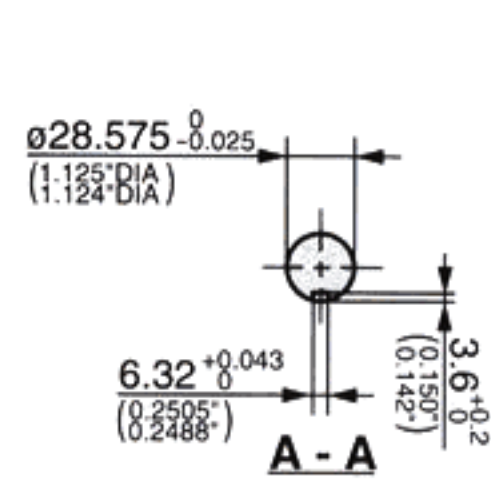
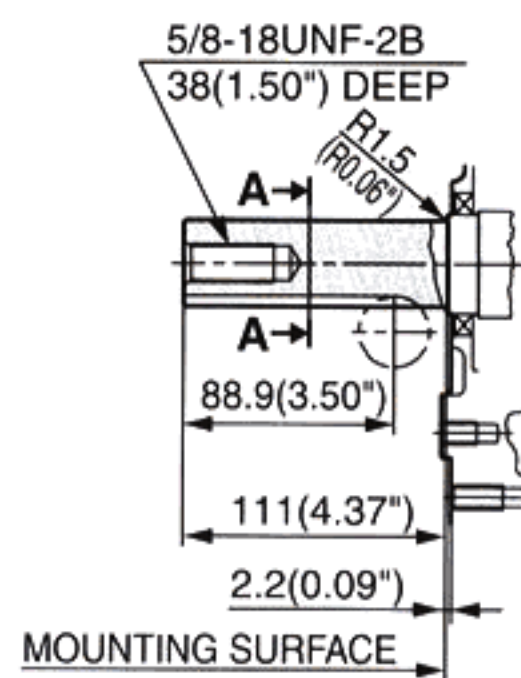
SAE-B FLANGE (OPTION)



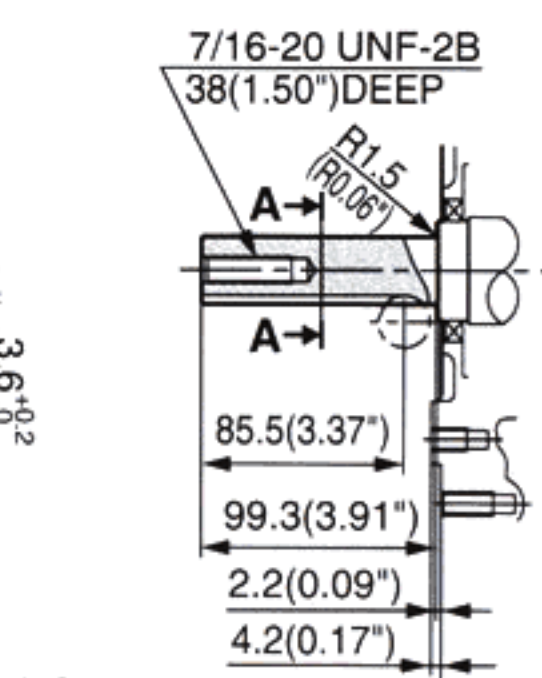
SAE - WG Generator Shaft



SAE - DU2 Keyway Shaft



SAE - DU3 Keyway Shaft



*Muffler as option