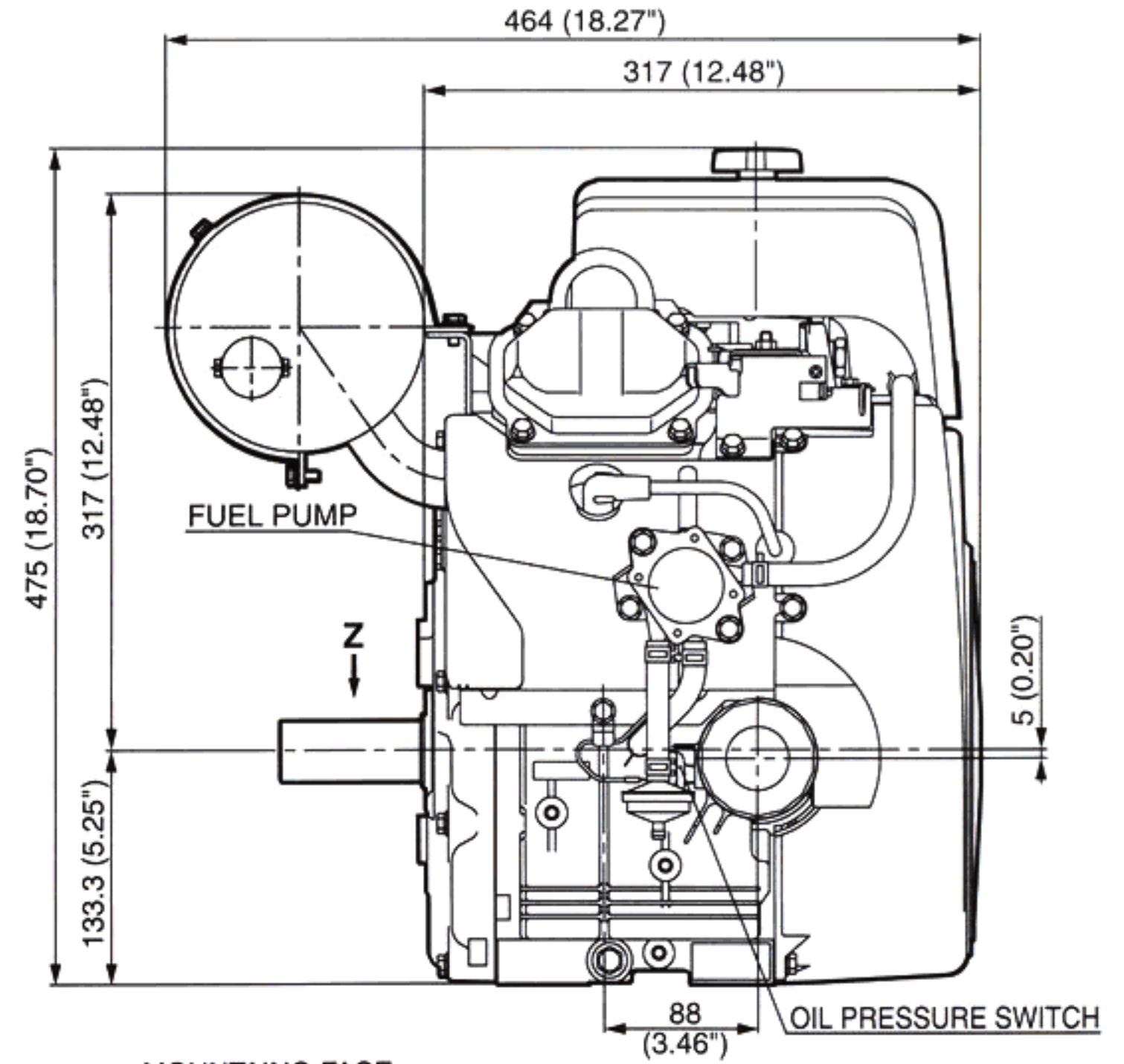
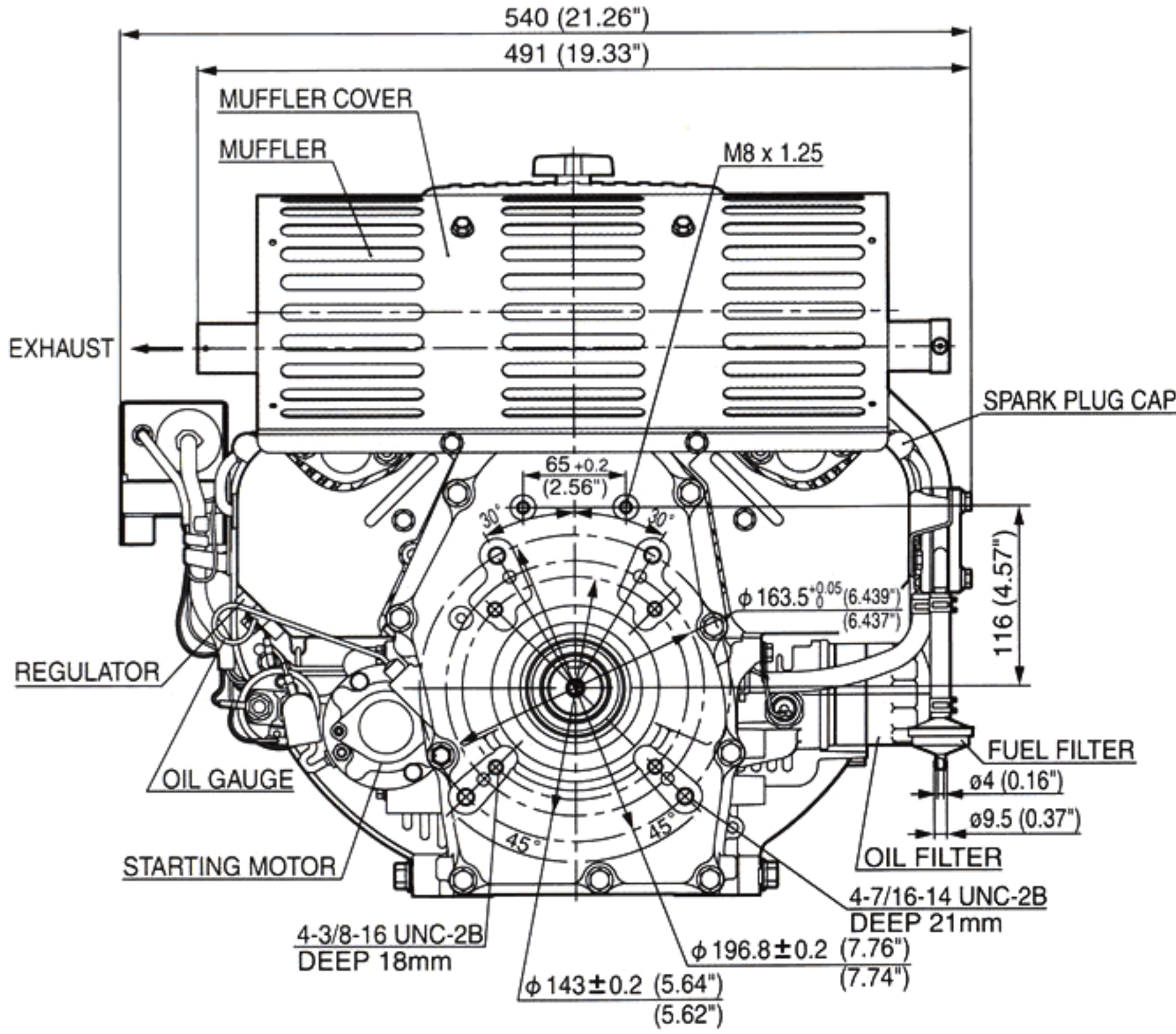
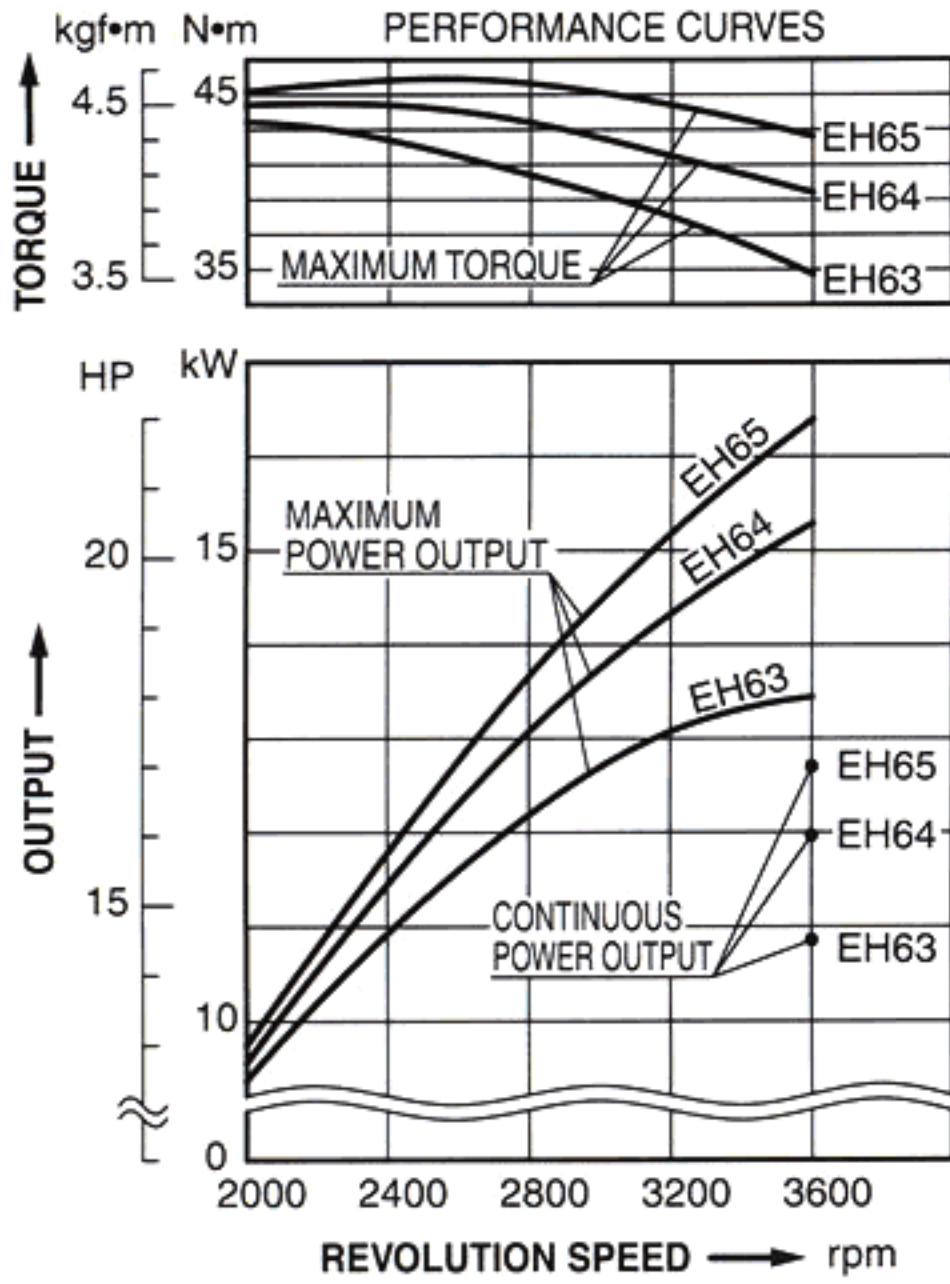


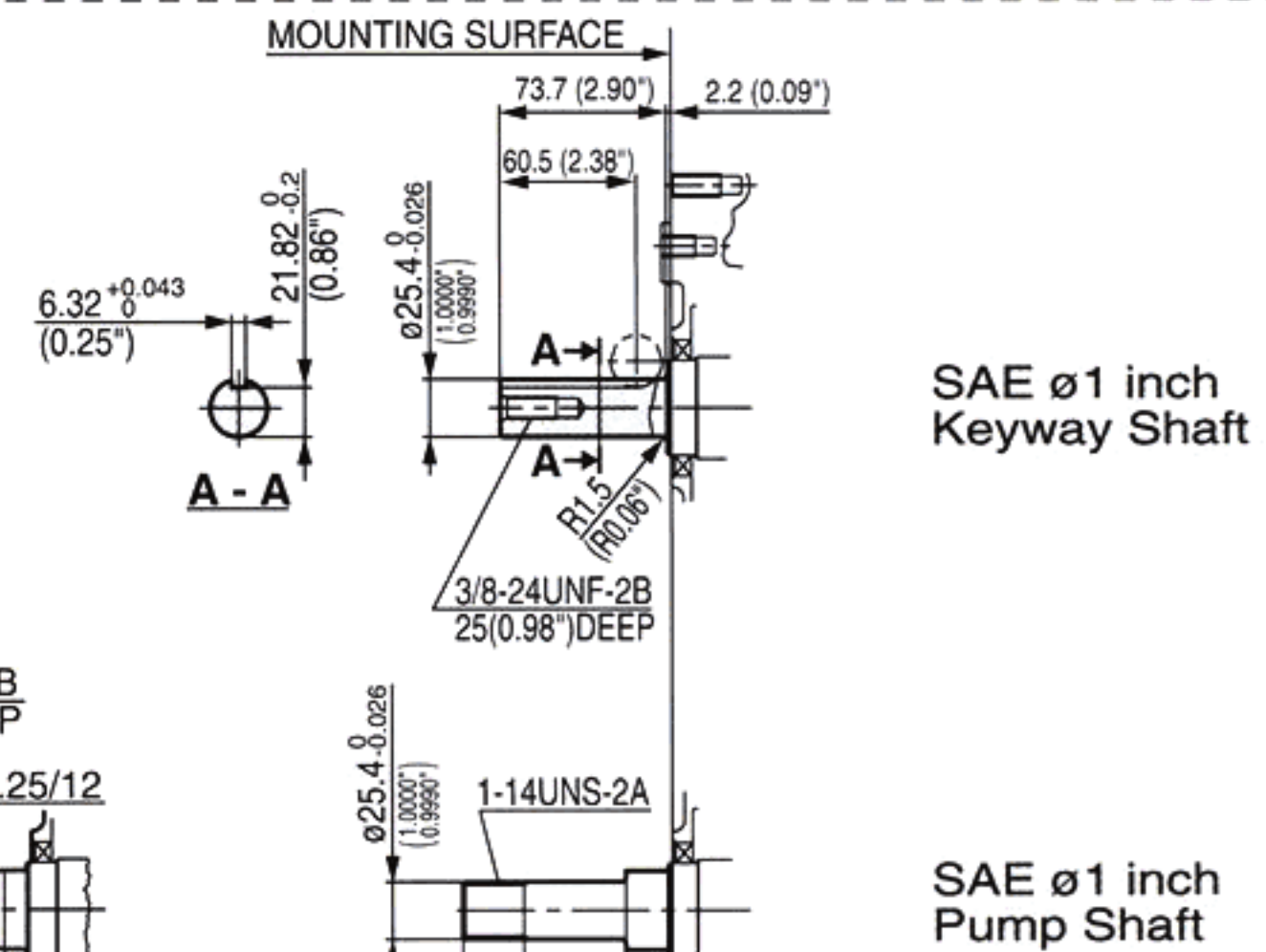
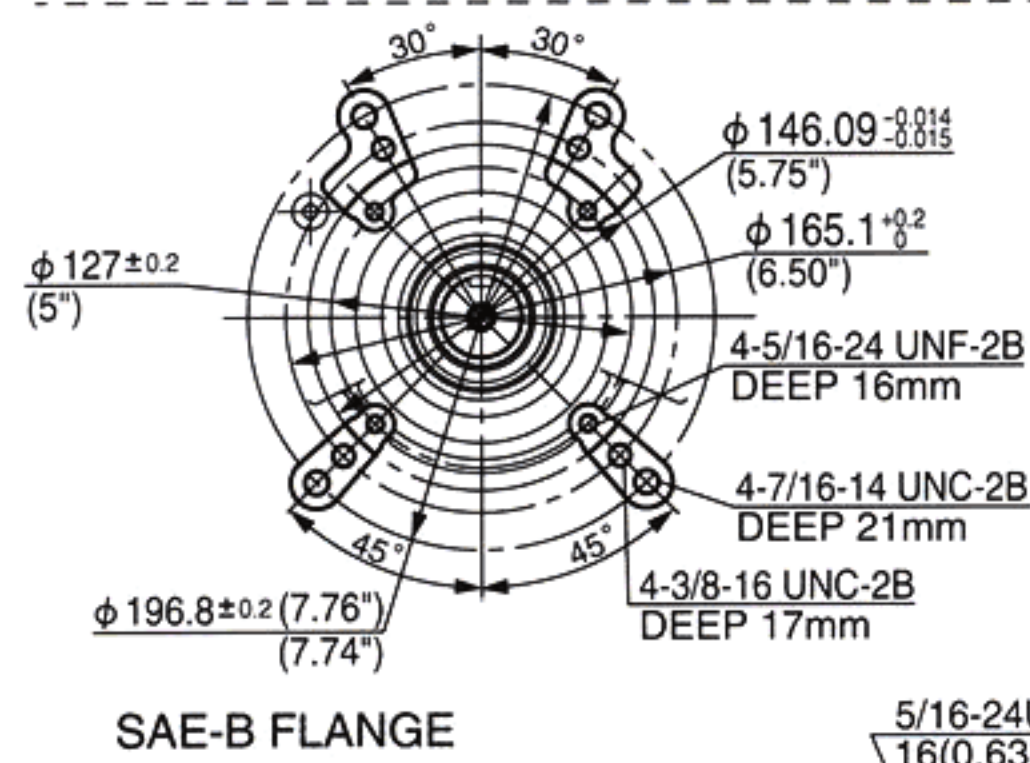
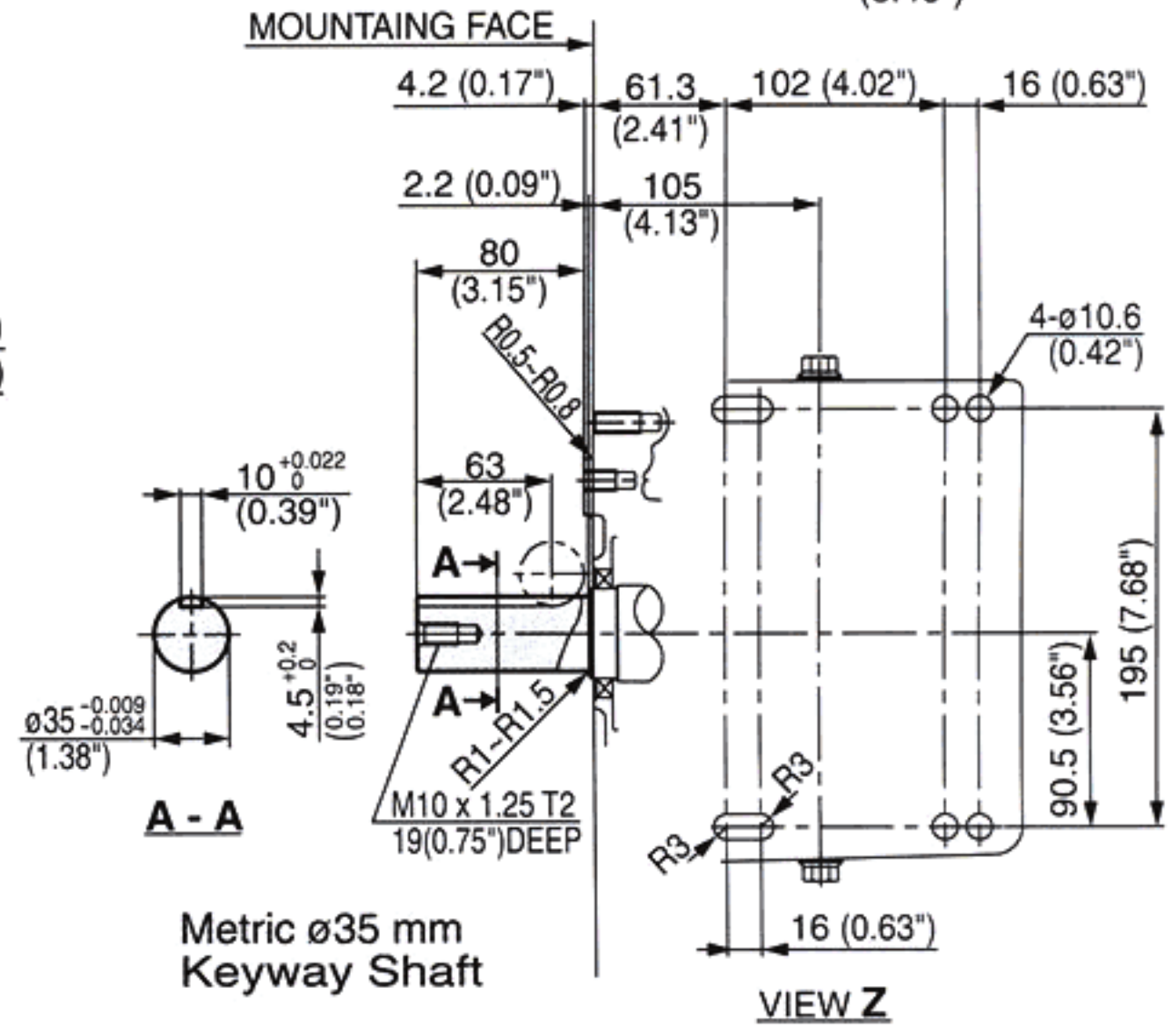
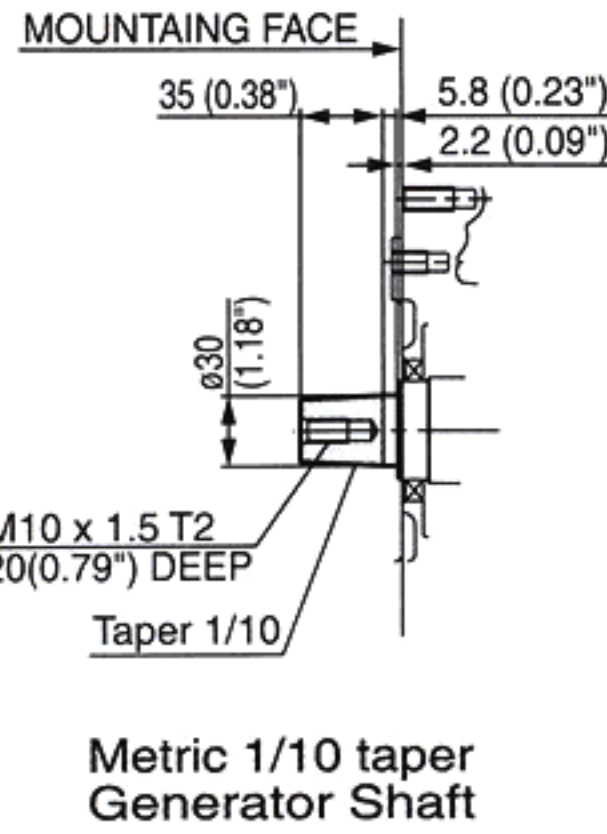
# EH63DS/64DS/65DS



## METRIC FLANGE



Power curves are corrected to standard sea level atmospheric condition and are developed from test engines equipped with standard air cleaner and muffler.



\*Muffler as option

