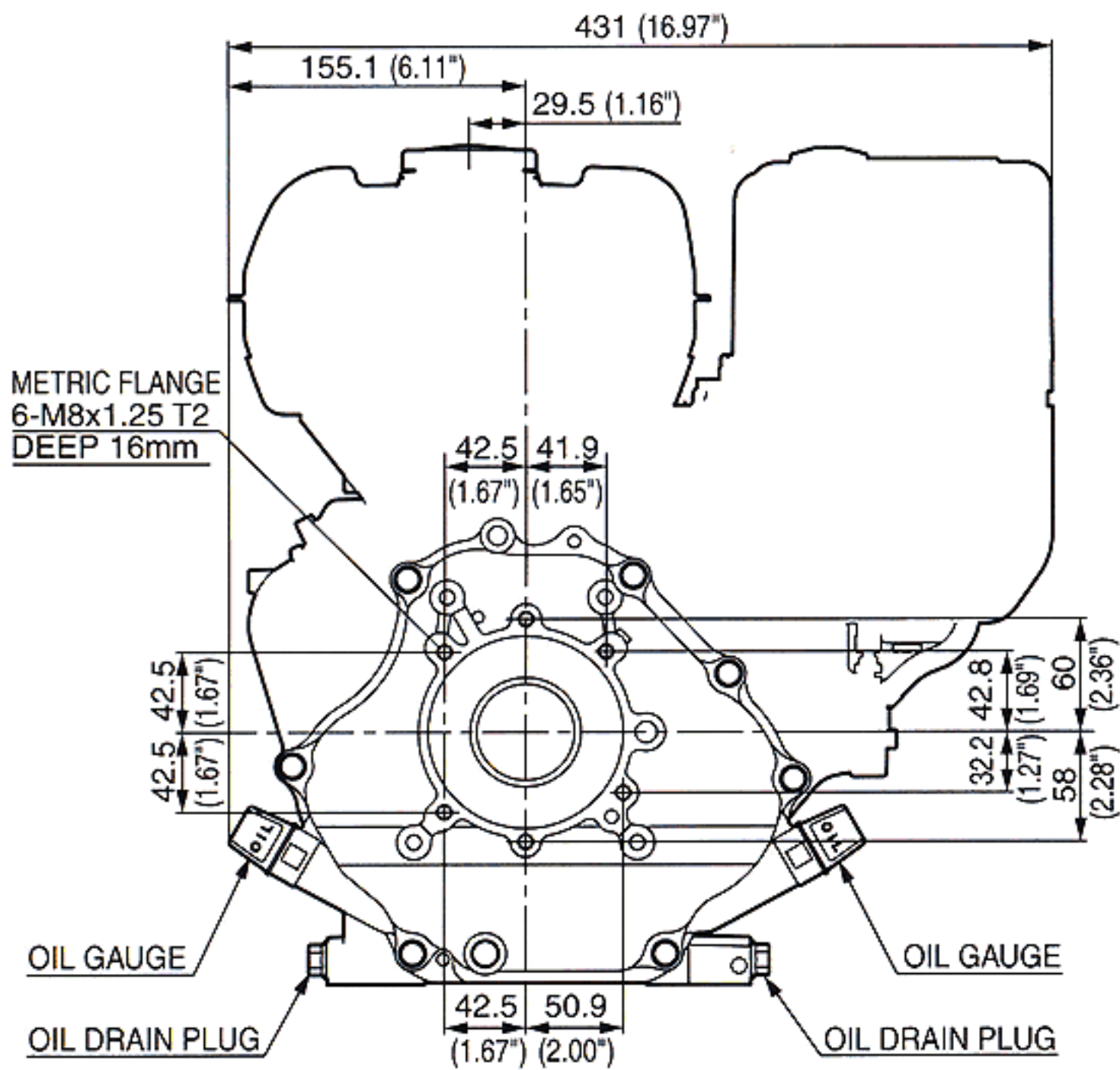
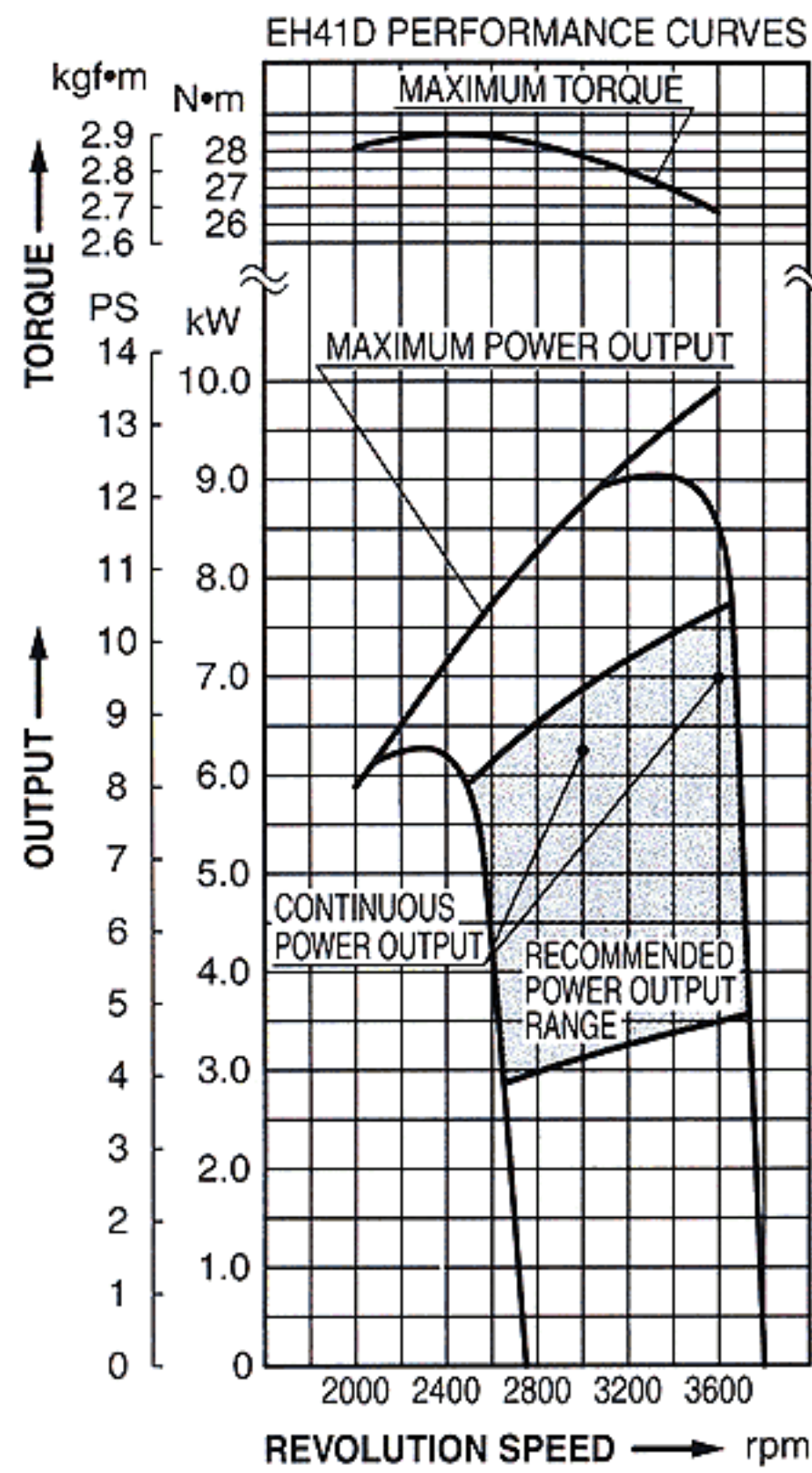
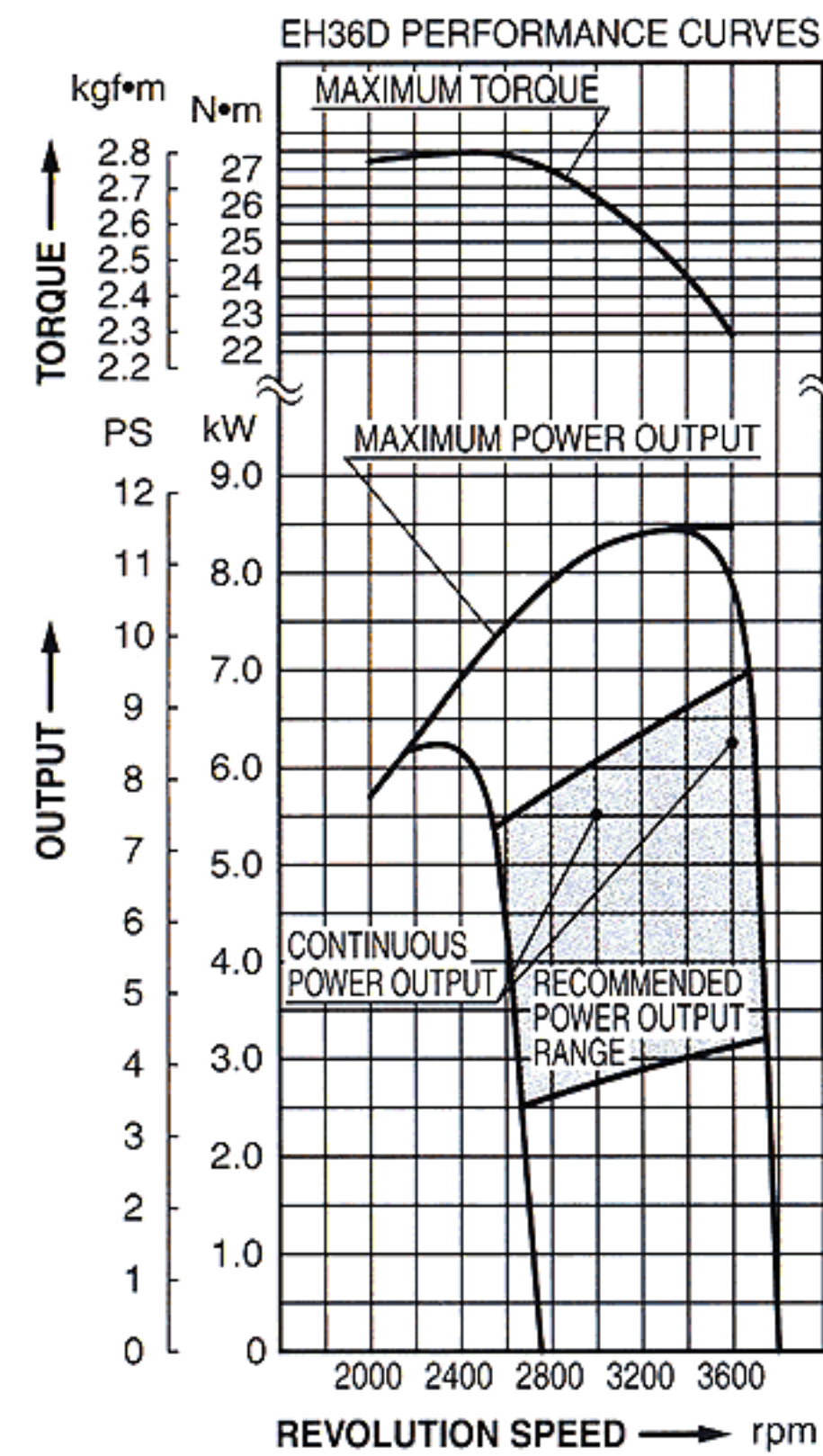


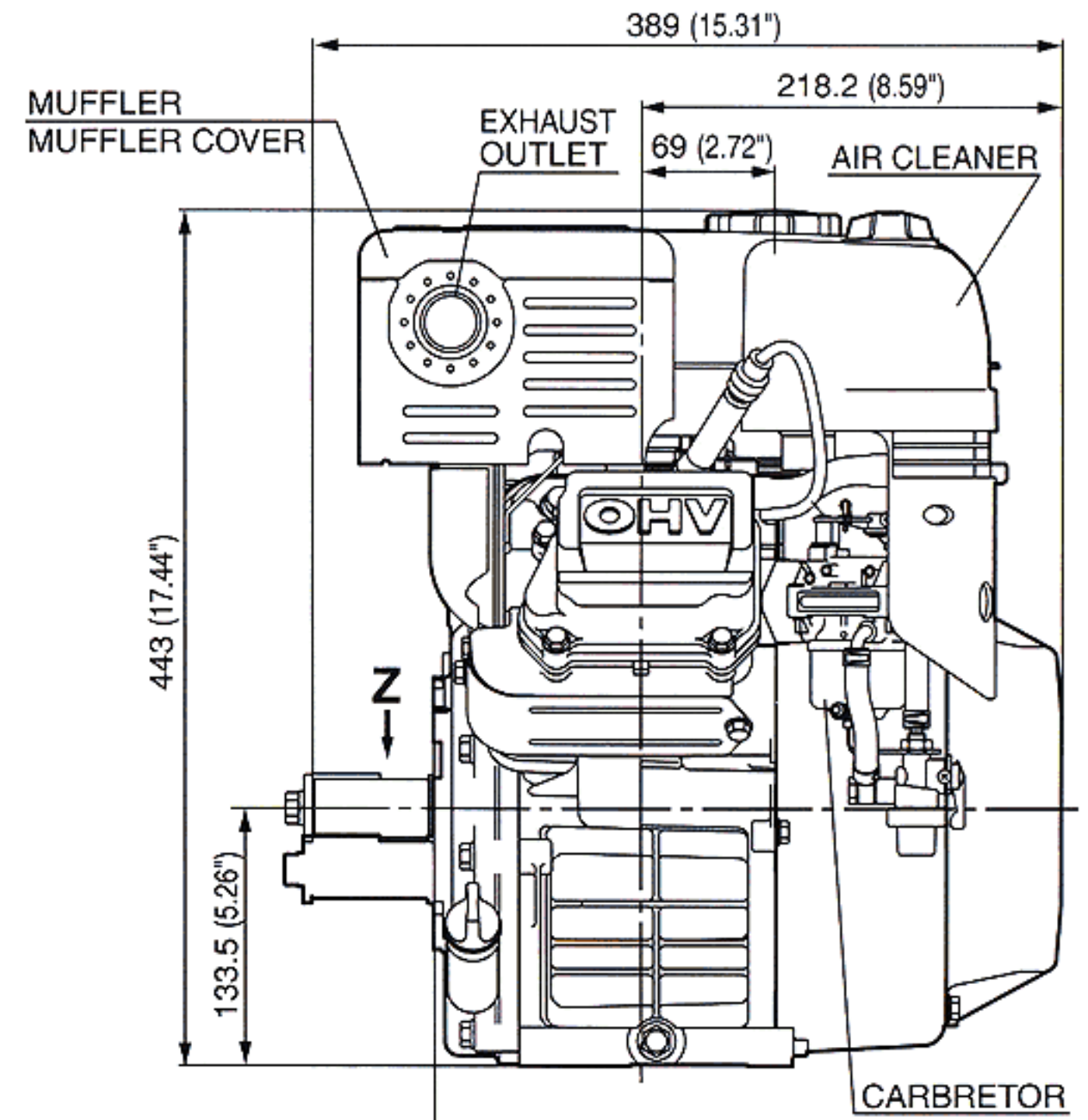
# EH36D/41D



## METRIC FLANGE



Power curves are corrected to standard sea level atmospheric condition and are developed from test engines equipped with standard air cleaner and muffler.



## MOUNTING FACE

